

Specifications

WAFER

備注 (Remark)

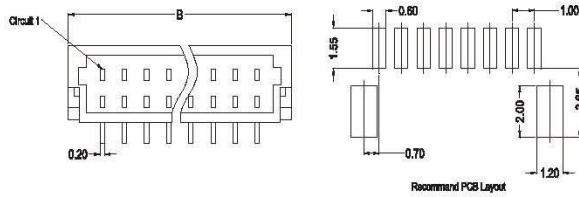
1. 材料 (Material)

膠芯: LCP/PA6T UL94V-0

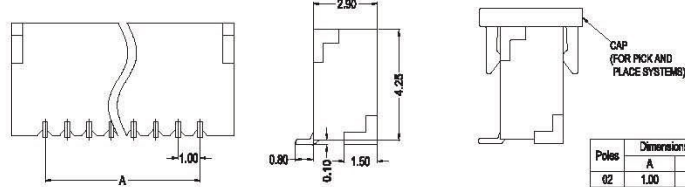
Housing: LCP/PA6T UL94V-0

端子: 磷青銅/黃銅

Contact: Phosphor bronze/Brass



KWC1000-SV-XX



Poles	Dimensions(mm)		Poles	Dimensions(mm)	
	A	B		A	B
02	1.00	4.00	12	11.00	14.00
03	2.00	5.00	13	12.00	16.00
04	3.00	6.00	14	13.00	18.00
05	4.00	7.00	15	14.00	17.00
06	5.00	8.00	16	15.00	18.00
07	6.00	9.00	17	16.00	19.00
08	7.00	10.00	18	17.00	20.00
09	8.00	11.00	19	18.00	21.00
10	9.00	12.00	20	19.00	22.00
11	10.00	13.00	24	23.00	28.00

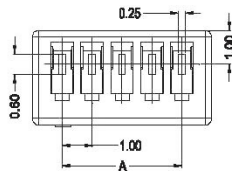
Housing

備注 (Remark)

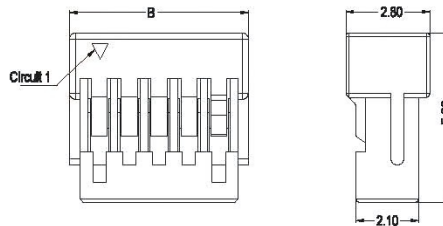
1. 材料 (Material)

膠芯: PA66/PBT UL94V-0,

Housing: PA66/PBT UL94V-0



KWH1000-SV-XX



Poles	Dimensions(mm)		Poles	Dimensions(mm)	
	A	B		A	B
02	1.00	3.00	13	12.00	14.00
03	2.00	4.00	14	13.00	15.00
04	3.00	5.00	15	14.00	16.00
05	4.00	6.00	16	15.00	17.00
06	5.00	7.00	17	16.00	18.00
07	6.00	8.00	18	17.00	19.00
08	7.00	9.00	19	18.00	20.00
09	8.00	10.00	20	19.00	21.00
10	9.00	11.00	22	21.00	23.00
11	10.00	12.00	24	23.00	25.00
12	11.00	13.00			

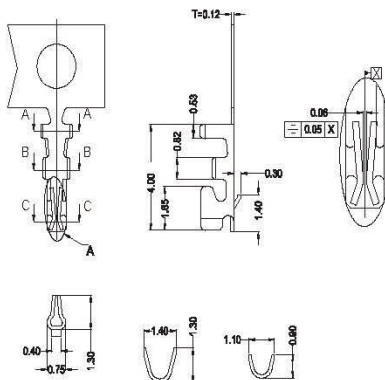
Terminal

備注 (Remark)

1. 材料 (Material)

端子: 磷青銅

Contact: Phosphor bronze



KWT1000